



TURBOFARMER COMPACT

TF33.7



PERFORMANCE AND FEATURES
TF33.7 G
TF33.7-115G
TF33.7-115
PERFORMANCE

Total unladen weight (kg)	6500	6500	6500
Maximum capacity (kg)	3300	3300	3300
Lifting height (m)	6,6	6,6	6,6
Maximum reach (m)	3,5	3,5	3,5
Maximum operating height (m)	5,7	5,7	5,7
Maximum operating reach (m)	1,4	1,4	1,4
Capacity at maximum height (kg)	2600	2600	2600
Capacity at maximum reach (kg)	1350	1350	1350
Lateral boom movement (mm)	-	-	-
Tilting correction (%)	-	-	-
Boom sections	2	2	2

POWERTRAIN

Turbo motor	Deutz TD2.9	Deutz TCD3.6	Deutz TCD3.6
Displacement/cylinders	2900/4	3600/4	3600/4
Engine Power (kW/HP)	55,4/75	85/115	85/115
Anti-pollution technology	STAGE IIIB, DOC	STAGE IV, SCR+DOC	STAGE IV, SCR+DOC
Reversible fan	●	●	●
Maximum speed (km/h)	40	40	40
Fuel tank (l)	80	85	85
AdBlue tank (l)	-	12	12
Hydrostatic transmission	● - 2V	● - 2V	● - 2V
EPD	-	●	Top
Axles	Axial	Axial	Axial
Reduction hub	Epicyclic	Epicyclic	Epicyclic
Machine brakes	Dry disc	Dry disc	Dry disc
Automatic parking brake	●	●	●

HYDRAULIC

Hydraulic pump	Gear	Gear	LS+FS
Flow rate/pressure (l/min – bar)	98-210	98-210	125-210
Hydraulic tank	85	85	85
Hydraulic outlet at the top of the boom	●	●	●
Rear hydraulic outlets	○	○	○

CAB

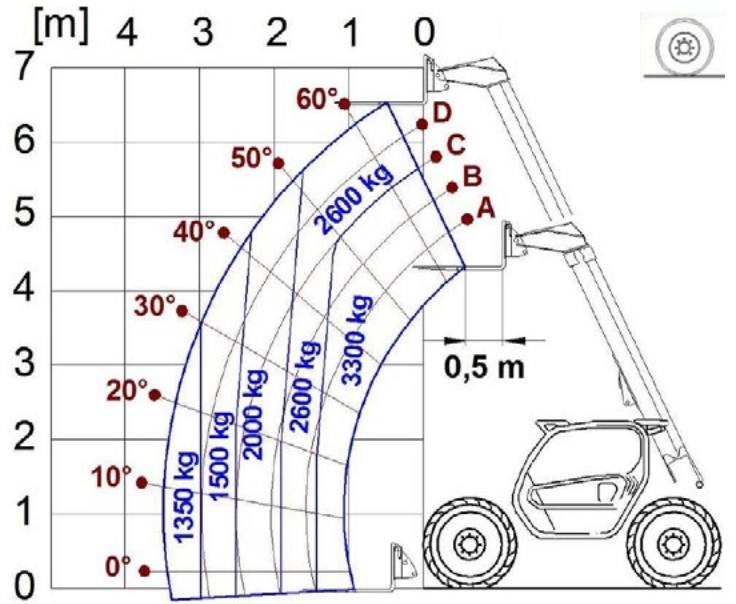
Cab configuration	ECO	ECO	ECO
MCDC	-	-	Light
FOPS LIV II cab	●	●	●
ROPS cab	●	●	●
Cab commands	Electrohydraulic joystick	Electrohydraulic joystick	Electronic joystick
Tilting Cab	-	-	-
Reverse shuttle	Dual reverse	Dual reverse	Dual reverse

CONFIGURATION

Cab suspension	-	-	-
Boom suspension	○	○	○
Suspension on axles	-	-	-
Work headlights on cab	○	○	●
Sun blind	○	○	○
Tac-lock	●	●	●
Provision for a platform	-	-	○
Two floating forks	●	●	●
Inching-Control	●	●	●
Four-wheel drive	●	●	●
Four-wheel steering	●	●	●
Three steering modes	●	●	●
Standard tyres	400/70-20"	400/70-20"	400/70-20"
Optional tyres	405/70-24"	405/70-24"	405/70-24"
Stabilisers	-	-	-
Turret rotation	-	-	-
Type approval as an agricultural tractor	○	○	○
Approval with PNEUMATIC braking	-	-	-
Approval with HYDRAULIC braking	○	○	○
PTO	-	-	-
3-point linkage	-	-	-

- Not Available. ● standard. ○ optional.

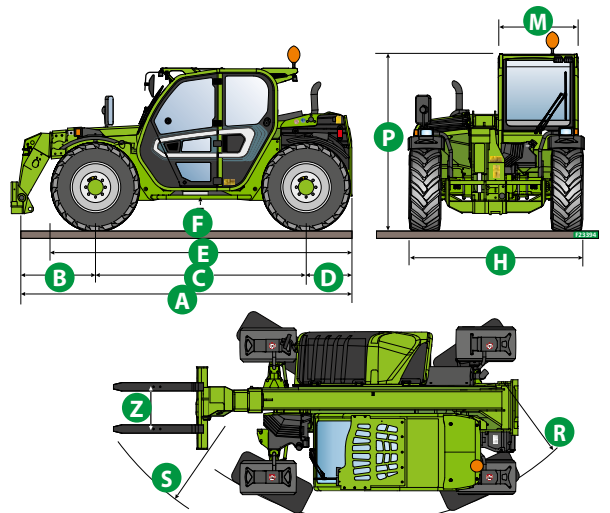
LOAD CHARTS



TF33.7

DIMENSIONS

	TF33.7		
A (mm)	4310		
B (mm)	970		
C (mm)	2740		
D (mm)	600		
E (mm)	3910		
F (mm)	340		
H (mm)	2100		
M (mm)	995		
P (mm)	2120		
R (mm)	3930		
S (mm)	4660		
Z (mm)	850		



GLOSSAR

SCR	Selective Catalyst Reduction , solution used for the reduction of NOx in the exhaust gases through the injection of a liquid - UREA (AdBlue) - into the exhaust gases.
DPF	Diesel Particulate Filter , a solution used to reduce fine particle emissions in exhaust gases
DOC	Diesel Oxidation Catalyst , a solution used to reduce carbon monoxide (CO) and hydrocarbons in exhaust gases
EGR	Exhaust Gas Recirculation , a solution used to reduce NOx in exhaust gases by recirculating gas inside the combustion chamber of the engine.
1-2V	1 or 2 speed Merlo gearbox
CVTronic	Continuous variation Merlo gearbox , for constant acceleration without loss of torque
EPD	Eco Power Drive , Merlo electronically-controlled hydrostatic transmission Electronic, enables effective RPM management in order to reduce overall fuel consumption by the machine
EPD Plus	In addition to the EPD Control, it is also possible to work using Speed Control (maintaining a constant travel speed) and Heavy Load (management of RPM in order to maximise performance for tasks such as: bucketing operations, heavy duty unloading, etc.)
EPD Top	In addition to the EPD Plus control function, this enables the RPM to be managed directly using the joystick
Gear	Fixed displacement pump with gears , combined with an open centre hydraulic distributor
LS	Variable displacement pump with Load Sensing control, combined with a closed centre hydraulic distributor
LS+FS	Variable displacement pump with Load Sensing control, combined with a closed centre hydraulic distributor equipped with solenoid valves and Flow Sharing control.
Kabine ECO/PREMIUM	MODULAR type cabin with simplified or PREMIUM equipment
MCDC	Merlo Dynamic Load Control, electronic control of the machine's anti-overturn system. • Light : Simplified version; • Complete : Version with display in cab.
FOPS	Falling object protective structure, the system which shields the operator from heavy objects falling onto the cab. Two levels: • FOPS Liv I : Object with a weight of 45 kg falling from 3 metres • FOPS Liv II : Object with a weight of 227 kg falling from 5.2 metres
ROPS	Roll-over protection system (or roll-over protection structure), the system that protects the operator if the vehicle rolls over
Finger Touch	Driving direction inversion system mounted on the steering column
Dual Reverse	Dual driving direction inversion system, on both the steering column and the joystick
Tac-lock	Hydraulic attachment clamping system controlled from the cab



MERLO S.P.A.

Via Nazionale, 9
12010 S. Defendente di Cervasca
(Cuneo) Italia
Tel. +39 0171 614111
Fax +39 0171 684101

info@merlo.com
www.merlo.com

