



PANORAMIC P40.14



PERFORMANCE AND FEATURES
P40.14
P40.14 Plus
PERFORMANCE

Total unladen weight (kg)

9950

9950

Maximum capacity (kg)

4000

4000

Lifting height (m)

13,6

13,6

Maximum reach (m)

9,3

9,3

Maximum operating height (m)

10,7

10,7

Maximum operating reach (m)

3,55

3,55

Capacity at maximum height (kg)

3000

3000

Capacity at maximum reach (kg)

1000

1000

Lateral boom movement (mm)

± 345

± 345

Tilting correction (%)

+/- 8

+/- 8

Boom sections

3

3

POWERTRAIN

Turbo motor

Deutz TD2.9

Deutz TCD3.6

Displacement/cylinders

2900/4

3600/4

Engine Power (kW/HP)

55,4/75

75/102

Anti-pollution technology

STAGE IIIB, DOC

STAGE IV, SCR+DOC

Reversible fan

-

-

Maximum speed (km/h)

9/33

14/40

Fuel tank (l)

140

140

AdBlue tank (l)

-

18

Hydrostatic transmission

● - 2V

● - 2V

EPD

-

●

Axles

Drop portal

Drop portal

Reduction hub

RR700

RR700

Machine brakes

Dry discs

Dry discs

Automatic parking brake

●

●

HYDRAULIC

Hydraulic pump

LS

LS

Flow rate/pressure (l/min – bar)

104 - 250

104 - 250

Hydraulic tank

100

100

Hydraulic outlet at the top of the boom

●

●

Rear hydraulic outlets

○

○

CAB

Cab configuration

Standard

Premium

MCDC

Light

Complet

FOPS LIV II cab

●

●

ROPS cab

●

●

Cab commands

Electronic joystick control

Electronic joystick control

Tilting Cab

-

-

Reverse shuttle

Dual reverse

Dual reverse

CONFIGURATION

Cab suspension

-

-

Boom suspension

○

○

Suspension on axles

-

-

Work headlights on cab

○

○

Sun blind

○

○

Tac-lock

●

●

Provision for a platform

○

○

Two floating forks

●

●

Inching-Control

●

●

Four-wheel drive

●

●

Four-wheel steering

●

●

Three steering modes

●

●

Standard tyres

400/70-20

400/70-20

Optional tyres

405/70-24

405/70-24

Stabilisers

Narrow

Narrow

Turret rotation

-

-

Type approval as an agricultural tractor

-

-

Approval with PNEUMATIC braking

-

-

Approval with HYDRAULIC braking

-

-

PTO

-

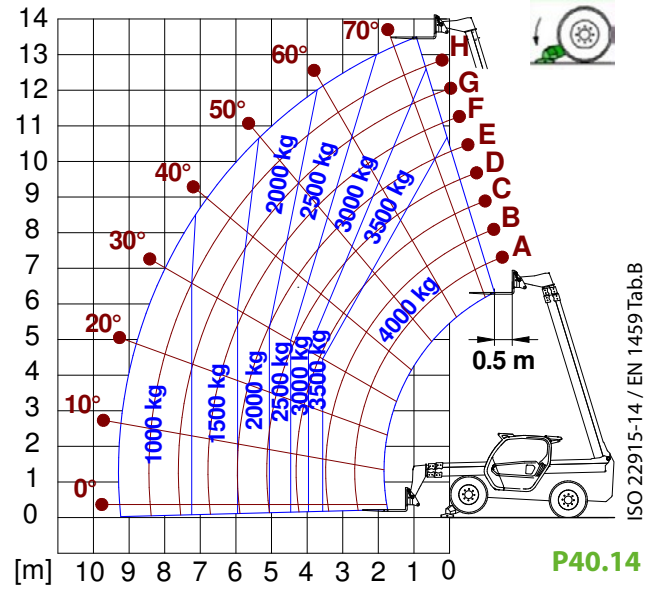
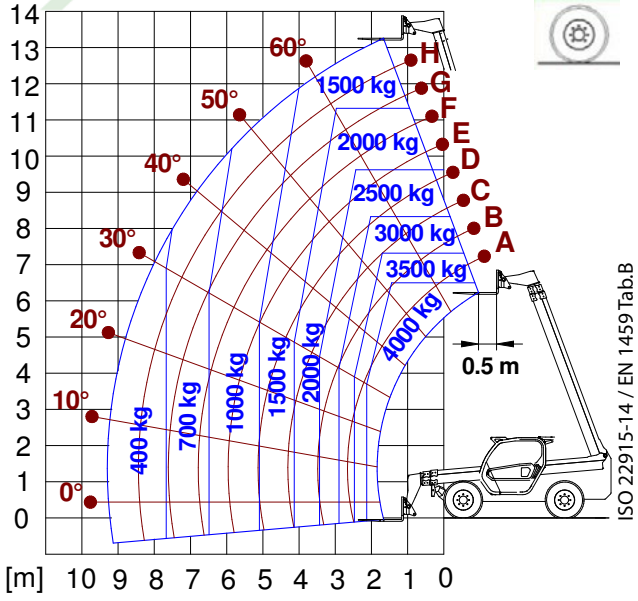
-

3-point linkage

-

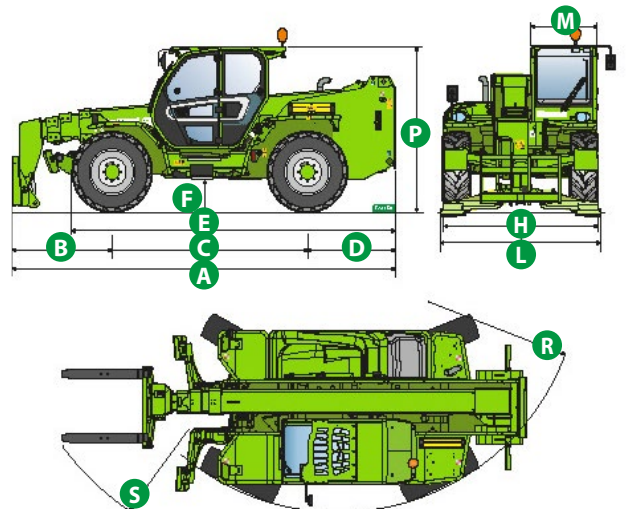
-

LOAD CHARTS



DIMENSIONS

	P40.14	P40.14 Plus	
A (mm)	5750	5750	
B (mm)	1645	1645	
C (mm)	2810	2810	
D (mm)	1295	1295	
E (mm)	4640	4640	
F (mm)	375	375	
H (mm)	2240	2240	
L (mm)	2380	2380	
M (mm)	1010	1010	
P (mm)	2425	2425	
R (mm)	3920	3920	
S (mm)	5040	5040	



GLOSSAR

SCR	Selective Catalyst Reduction , solution used for the reduction of NOx in the exhaust gases through the injection of a liquid - UREA (AdBlue) - into the exhaust gases.
DPF	Diesel Particulate Filter , a solution used to reduce fine particle emissions in exhaust gases
DOC	Diesel Oxidation Catalyst , a solution used to reduce carbon monoxide (CO) and hydrocarbons in exhaust gases
EGR	Exhaust Gas Recirculation , a solution used to reduce NOx in exhaust gases by recirculating gas inside the combustion chamber of the engine.
1-2V	1 or 2 speed Merlo gearbox
CVTronic	Continuous variation Merlo gearbox , for constant acceleration without loss of torque
EPD	Eco Power Drive , Merlo electronically-controlled hydrostatic transmission Electronic, enables effective RPM management in order to reduce overall fuel consumption by the machine
EPD Plus	In addition to the EPD Control, it is also possible to work using Speed Control (maintaining a constant travel speed) and Heavy Load (management of RPM in order to maximise performance for tasks such as: bucketing operations, heavy duty unloading, etc.)
EPD Top	In addition to the EPD Plus control function, this enables the RPM to be managed directly using the joystick
Gear	Fixed displacement pump with gears , combined with an open centre hydraulic distributor
LS	Variable displacement pump with Load Sensing control, combined with a closed centre hydraulic distributor
LS+FS	Variable displacement pump with Load Sensing control, combined with a closed centre hydraulic distributor equipped with solenoid valves and Flow Sharing control.
Kabine ECO/PREMIUM	MODULAR type cabin with simplified or PREMIUM equipment
MCDC	Merlo Dynamic Load Control, electronic control of the machine's anti-overturn system. • Light : Simplified version; • Complete : Version with display in cab.
FOPS	Falling object protective structure, the system which shields the operator from heavy objects falling onto the cab. Two levels: • FOPS Liv I : Object with a weight of 45 kg falling from 3 metres • FOPS Liv II : Object with a weight of 227 kg falling from 5.2 metres
ROPS	Roll-over protection system (or roll-over protection structure), the system that protects the operator if the vehicle rolls over
Finger Touch	Driving direction inversion system mounted on the steering column
Dual Reverse	Dual driving direction inversion system, on both the steering column and the joystick
Tac-lock	Hydraulic attachment clamping system controlled from the cab



MERLO S.P.A.

Via Nazionale, 9
12010 S. Defendente di Cervasca
(Cuneo) Italia
Tel. +39 0171 614111
Fax +39 0171 684101

info@merlo.com
www.merlo.com

