

# ROTAIR®

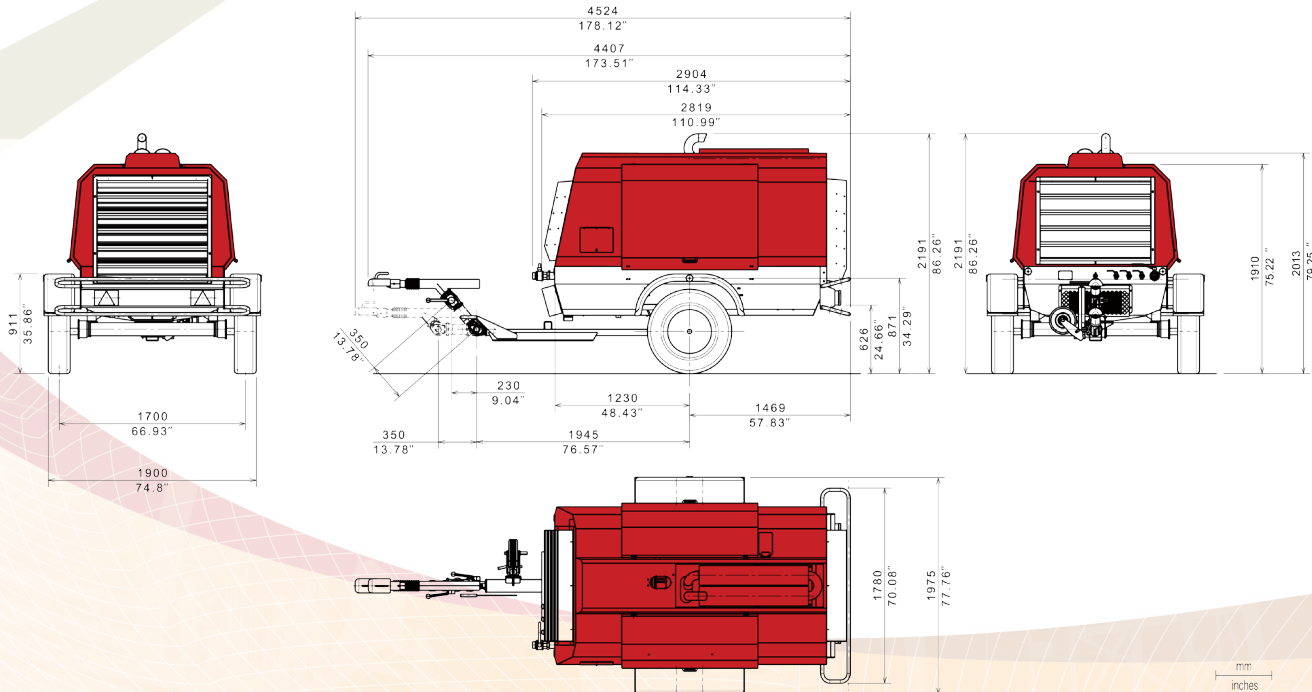


## MDVS 120 P TIER 2/STAGE IIA

# PORTABLE COMPRESSOR

SUPER SILENT | POWERFUL & COMPACT

WEIGHT (with brakes)	2020 Kg	4453 lbs
WEIGHT (without brakes)	1920 Kg	4233 lbs
SINGLE SPRUNGE AXLE		



- Design with modern, slender and aggressive line
- Electro-galvanized bodywork and chassis with advanced painting procedure to grant an excellent preservation through time
- Compact dimensions and optimum dimensions / delivered power ratio

- Light weight for the compressor class
- Filters "spin-on" type for quick maintenance
- Full accessibility for easy and rapid maintenance and service

### OPTIONS AND ACCESSORIES:

Drawbar with or without brakes, caravan-type ball connection - Skid version  
 Sandblasting kit (cooler for compressed air cooling and dew separator)  
 Line oiler for pneumatic tools - Warming for compressed air  
 Exclusive ROTAIR "FUEL SAVING SYSTEM" (saving up to 20% of fuel)

ISO 9001  
 BUREAU VERITAS  
 Certification



Company certified ISO 9001:2008



**A NEW  
 WORKING  
 CONCEPT!**

# MDVS 120 P TIER 2/STAGE IIA TECHNICAL DATA



- Exclusive pneumatic control system, developed by ROTAIR, to adjust automatically engine revs, depending on the air to be delivered. This system is highly reliable and ensures fuel consumption saving
- Start/stop "INTELLIGENT SYSTEM", exclusive from ROTAIR, to prevent the risk of incorrect procedures during specific functioning
- Air/oil separator filter, highly oversized, can guarantee an excellent air/oil separation
- The air and oil filters of the compressor and the air and oil filters of the engine are independent
- Single stage oversized air filter for compressor part, to guarantee good filtering of the air intake by airend. As option, Two-stage air filter
- Two-stage air filter for engine part
- Fuel pre-filter with water separation and second filter to clean fuel in very dusty conditions
- Combined radiator allowing both compressor oil cooling and engine liquid cooling

## INSTRUMENT and GAUGES

### Emergency stop device

- Oil pressure switch
- Engine coolant temperature switch
- Discharge air temperature switch

### Gauges

Pressure, hour, meter, start/stop switch

### Warning light

- Engine oil pressure
- Engine coolant - oil compressor temperature
- Battery charging
- Glow plug lump
- Low fuel level (optional)
- Air filter clogged (optional)



**THE RESPECT OF ORDINARY MAINTENANCE INTERVALS AND THE USE OF GENUINE SPARE PARTS ENSURE CONSTANT AND OPTIMAL PERFORMANCES AND A RELIABLE DURABILITY THROUGH TIME.**

## COMPRESSOR

Operating Pressure	7 bar 100 psi	10 bar 145 psi	12 bar 174 psi
Free air delivery	12000lt/min 424 cfm	11000lt/min 388 cfm	10000lt/min 353 cfm
Minimum working pressure	5,5 bar – 80 psi		
Drive system engine-aiend	Direct Drive		
Compressor cooling system	Air/Oil		
Oil cooling capacity	20 lt		
Air outlet temperature	40°C – 105°F + Ambient temperature		
Outlet valves	3 x 3/4" + 1 X 2"		
Noise level EECno 2000/14	< 99 LWA		
Battery capacity	12Vcc -950A-132Ah (EN)		
Fuel tank capacity	150 lt		
Consumes	14,2 lt/ hour (10,5 working hours)		

## DIESEL ENGINE

Engine make	PERKINS
Engine type	1104C-44TA
Engine system	4 strokes - Inline
Displacement	4400 cc
N. cylinders	4
Aspiration	TurboIntercooler
Max engine power@2200 RPM	96,5 kW – 130 HP
Max engine speed	2200 RPM
Min engine speed	1600 RPM
Cooling system	Water
Cooling system capacity	25 lt
Lubrication system	Oil
Lubrication system capacity	8 lt

ENVIRONMENTAL CONDITIONS	(Standard version*)
Max ambient temperature	50°C – 122°F
Max altitude	1800 mt a.s.l.
Min working temperature	-10°C – 14°F

\* For versions with different operating pressures or for requests of machines to be used under particular ambient temperature conditions, data have to be previously asked to our technical dept.

\* All images and pictures are indicative. Data can be changed without prior notice.

**A NEW  
WORKING  
CONCEPT!**

PORTABLE COMPRESSOR  
SUPER SILENT  
POWERFUL & COMPACT

**ROTAIR®**

TECHNOLOGY AND ENGINEERING SOLUTIONS

Via Bernezzo, 67 - 12023 Caraglio (Cn) ITALY  
Tel: +39 0171.619676 / Fax: +39 0171.619677

www.rotairspa.com • info@rotairspa.com