

Winlet
350



Pat. Pending

A GOOD WORKING ENVIRONMENT >> LESS DAMAGE TO MATERIALS >> SATISFIED EMPLOYEES >> STRONG BACKS >> FASTER INSTALLATION...

Winlet 350 - a revolutionary new way of installing windows. Using the Winlet 350 window robot, you can quickly and dramatically improve health and safety at work. Window elements weighing up to 350 kg can be lifted, transported and installed easily, without straining the back. The results will show up directly on your bottom line as your employees will be able to work more efficiently, avoiding back injuries and sick days, which will result in faster installations without damages to the glass. Finally - a window robot which improves efficiency and meets the increasing requirements from national Occupational Health & Safety Administrations.

WWW.WINLET.DK



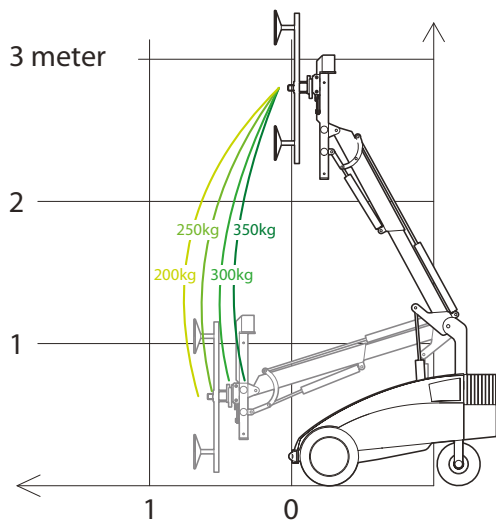
LIFTS ALL AIR PROOF ITEMS

Winlet 350 can easily be adapted to lift a wide range of materials by changing the suction cups. This makes Winlet 350 ideal when handling:

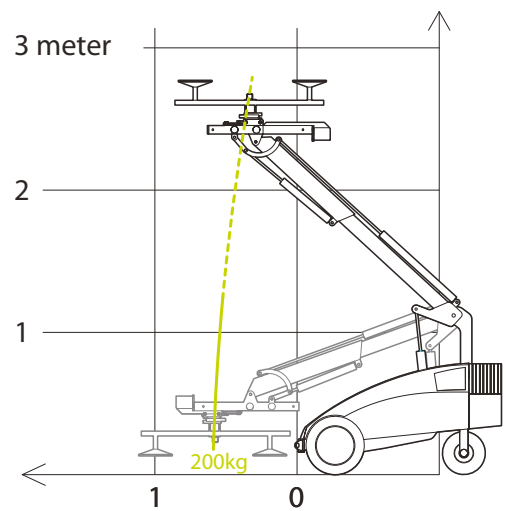
GRANITE
CONCRETE
PLASTERBORDS
STEEL PLATES

WOODEN PLATES
TILES
FIRE DOORS

REACH DIAGRAM

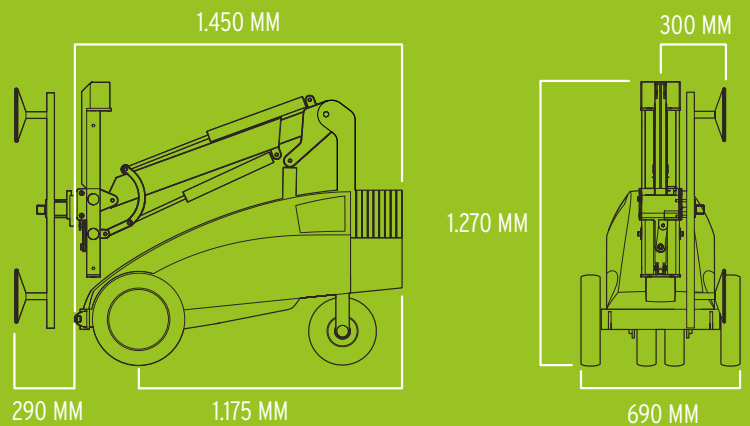


PICKUP AND PLACE DIAGRAM



MAXIMUM CAPACITY - MINIMUM SPACE

Winlet 350 combines superior lifting capacity and reach with a unique and compact design. Only with Winlet 350, you can handle heavy elements up to 350 kg bringing it through rough terrain and narrow doorways. Due to the compact design, confined spaces such as elevators and balconies are no problem for winlet 350. The low weight of Winlet 350 makes it possible to use it where heavier construction equipment cannot be used due to surface pressure.



SPECIFICATIONS

EXTERNAL LENGTH	1.450 MM
EXTERNAL WIDTH	690 MM
MAX. LIFTING CAPACITY	350 KG
MAX. LOAD AT MAX EXTENSION	200 KG
MAX. CAPACITY ON SIDE	200 KG
TOTAL WEIGHT excl. counterweights	512 KG
TOTAL WEIGHT incl. counterweights	617 KG
MIN. EXTENSION	290 MM
(front bumper to suction cup)	
MAX. EXTENSION	790 MM
(Front bumper to suction cup)	
MAX. LIFTING HEIGHT	2.800 MM
(to center of lifting yoke)	
SIDE OFFSET	100 MM
FINE LIFT ON ARM	500 MM
TILT FUNCTION	180 DEGREES
CONTINUOUS ROTATION	360 DEGREES
SUCTION CUPS	4 X Ø270 MM
BATTERIES	2 X 95 AH

ACCESSORIES



- **TWIN WHEELS** - for extra rough terrain
- **SUPPORT WHEELS** - for extra stability
- **LIFTING FORK & LIFTING HOOK** - for lifting of pallets or with straps
- **LIFTING SLING** - for lifting the Winlet in crane Hook
- **SHUT-OFF VALVES** - on suction cup
- **QUICK CONNECTORS** - on suction cups or main supply
- **EXTENSION OF THE BEAMS** - customized cross- and main beams
- **FORK LIFT ADAPTER** - for use in telehandler or fork lift

SUPERIOR USEABILITY



Multifunction control panel in operatorfriendly design with integrated buttons. Signal lights and Double action safety keys are both in the standard setup on the Winlet 350.

Dealer:

GMV A/S (SOUTH)
INDUSTRIPARKEN 1
DK - 7182 BREDSTEN

GMV A/S (NORTH)
MOESKJÆRVEJ 2
DK - 7620 LEMVIG

TEL +45 7573 8247
CVR DK 21801283
WWW.GMVAS.DK
WWW.WINLET.DK
WWW.ERGOMOVER.DK

GMV
Cranes and Handling